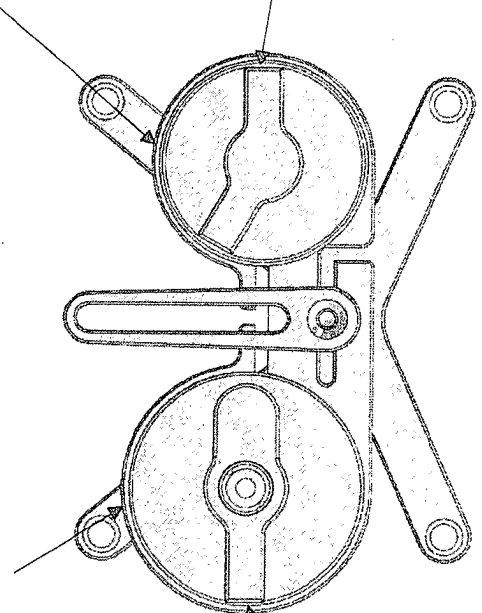


BRP 9527 INSTRUCTIONS

Customer to remove shipping plug,
Add male airline fitting. Threaded hole is $\frac{1}{4}$ " NPT.

The air filter needs to be replaced every 6 (six)
months, or when the media turns the colour pink.



Customer to remove shipping plug and, add
female airline fitting. Threaded hole is $\frac{1}{4}$ " NPT.

When the media in this container turns the colour pink,
replace filter and media for best performance.

Replacement Filter Part Number: BRP 9527 J
Replacement Media Part Number: BRP 9527 K

Media Replacement Instructions:

1. Disconnect lower hose.
2. Loosen main body clamp with $\frac{3}{16}$ " allen key.
3. Remove canister from main assembly.
4. Remove canister sight glass.
5. Empty media from canister.
6. Using a small funnel, pour new media through sight glass hole.
7. Reinstall sight glass, apply pipe dope or tape to seal threads.
8. Place canister back into main bracket.
9. Tighten main body clamp with $\frac{3}{16}$ " allen key.
10. Reconnect lower airline.
11. Check System for leaks.